



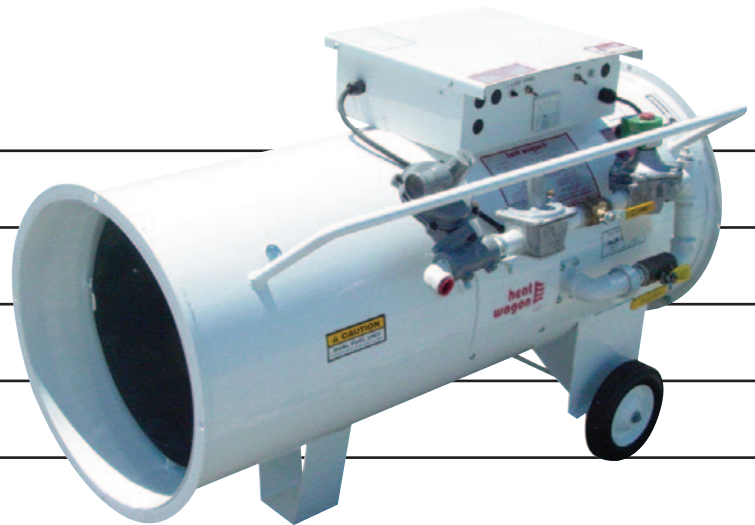
342 N. Co. Rd. 400 East
Valparaiso, IN 46383
219-464-8818 • Fax 219-462-7985
www.heatwagon.com

Installation and Maintenance Manual

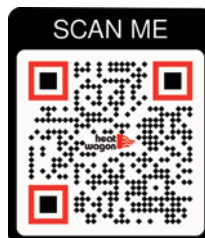
Please retain this manual for future reference.

1800B(L)

Construction Heater



NRTL
ANSI Z83.7
CONST. HTR



This QR Code
can be found
under the
control box lid

For your safety: Do not use this heater in a space where gasoline or other liquids having flammable vapors are stored.

CONSTRUCTION HEATER GENERAL HAZARD WARNING:

Failure to comply with the precautions and instructions provided with this heater, can result in death, serious bodily injury and property loss or damage from hazards of fire, explosion, burn, asphyxiation, carbon monoxide poisoning, and/or electrical shock.

Only persons who can understand and follow the instructions should use or service this heater.

If you need assistance or heater information such as an instruction manual, labels, etc., contact your local Heat Wagon dealer or the manufacturer.

W A R N I N G

Fire, burn, inhalation, and explosion hazard. Keep solid combustibles, such as building materials, paper or cardboard, a safe distance away from the heater as recommended by the instructions. Never use the heater in spaces which do or may contain volatile or airborne combustibles, or products such as gasoline, solvents, paint thinner, dust particles or unknown chemicals.

Never Use The Heater In Spaces Which Are Not Sufficiently Sized Or Ventilated For The Heater Being Utilized.

Not for home or recreational vehicle use!

IMPORTANT INFORMATION! READ FIRST

The heater is designed for use as a construction heater under ANSI Z83.7a-1993. Heater is not intended for use in pest remediation. The primary purpose of construction heaters is to provide temporary heating of buildings under construction, alteration, or repair and to provide emergency heat. Properly used, the heater provides safe, economical heating. Products of combustion are vented into the area being heated.

The heater IS NOT designed as an Unvented Gas Fired Room Heater under ANSI-Z21.11.2 and SHOULD NOT be used in the home.

ANSI A119.2(NFPA 501C)-1987 Recreational Vehicle Standard prohibits the installation or storage of LP-gas containers even temporarily inside any recreational vehicle. The standard also prohibits the use of Unvented Heaters in such vehicles.

NFPA-58 1989 STANDARD FOR THE STORAGE AND HANDLING OF LIQUEFIED PETROLEUM GASES AND THE NATURAL GAS AND PROPANE INSTALLATION CODE, CSA B149.1

Use of the heater must be in accordance with this Standard and in compliance with all governing state and local codes. Storage and handling of propane gas and propane cylinders must be in accordance with standard for the storage and handling of liquified petroleum gases, ANSI/NFPA 58 and CSA B149.1, natural gas and propane installation code and all local governing codes.

We cannot anticipate every use which may be made for our heaters. CHECK WITH YOUR LOCAL FIRE SAFETY AUTHORITY IF YOU HAVE QUESTIONS ABOUT LOCAL REGULATIONS.

Other standards govern the use of fuel gases and heat producing products in specific applications. Your local authority can advise you about these.

FOR YOUR SAFETY

DO NOT USE THIS HEATER IN A SPACE WHERE GASOLINE OR OTHER LIQUIDS HAVING FLAMMABLE VAPORS ARE STORED OR USED.

Installation and Maintenance Manual Model I800B(L) Construction Heater

Table of Contents:

| | Page |
|---------------------------------------|-------|
| Specifications | 4 |
| Installation | 5 |
| Proper Set Up | 6 |
| Hose Sizing | 6 |
| Cord Sizing | 5 |
| Operating Instructions | 8 |
| Sequence of Component Operation | 9 |
| Trouble Shooting | 10 |
| Preventive Maintenance | 11 |
| Parts Breakdown | 12-14 |
| Accessories | 13 |
| Wiring Diagrams | 14-16 |

WARRANTY

All new Heat Wagon and Sure Flame heaters and fans are guaranteed against defective materials and workmanship for one (1) year from invoice date.

Warranty repairs may be made only by an authorized, trained and certified Heat Wagon dealer. Warranty repairs by other entities will not be considered. Warranty claims must include model number and serial number.

LIMITATIONS

Warrant claims for service parts (wear parts) such as spark plugs, igniters, flame rods will not be allowed. Diagnostic parts such as voltage meters and pressure gauges are not warrantable.

Evidence of improper fuel usage, fuel pressures outside of manufacturer's specification, poor fuel quality, and improper electric power, misapplication or evidence of abuse may be cause for rejection of warranty claims.

Travel time, mileage and shipping charges will not be allowed. Minor adjustments of heaters are dealers' responsibility. Defective parts must be tagged and held for possible return to the factory for 60 days from date of repair. The factory will provide a return goods authorization, (RGA) for defective parts to be returned.

No warranty will be allowed for parts not purchased from Heat Wagon.



342 N. Co. Rd. 400 East • Valparaiso, IN 46383
219-464-8818 • 888-432-8924 • Fax 800-255-7985
www.heatwagon.com

DESIGN RELATED SAFETY FEATURES

- 1) **FLAME FAILURE**
The electronic safeguard control shuts off the gas supply in .8 seconds if flame is lost to prevent raw gas from leaving the heater.
- 2) **OVERHEATING**
The totally enclosed motor is protected by a manual reset thermal overload. A high temperature limit switch is mounted in the control box.
- 3) **COMPLETE VISUAL/SELF DIAGNOSIS LIGHTS**
- 4) **BLOCKED AIR SUPPLY**
An airflow switch detects the differential pressure in the combustion chamber and shuts off the gas flow when airflow is insufficient.
- 5) **LOCKING GAS SELECTOR LEVER**
To avoid over firing of the heater and damage to property, make sure the lever is locked in position when using propane.
- 6) **LOW SHELL TEMPERATURE**
The Model 1800B(L) is designed with a burner heat shield to keep the outside shell cool for added safety.
- 7) **DURABLE CONSTRUCTION**
The Model 1800B(L) uses a heavy gauge steel housing and a stainless steel burner for long life and consistent performance.

NOTE: In order to maintain the highly efficient combustion of the heater, the combustion chamber must remain as manufactured. Any change or distortion could alter the fuel/air mixture and create excessive products of combustion.

INSTALLATION

The Heat Wagon Model 1800B(L) is a direct fired gas heater intended to be used primarily for the temporary heating of building under construction, alteration, or repair. Since all the products of combustion are released into the area being heated, it is imperative that adequate ventilation is provided. The flow of supply air and combustion gases must not be obstructed in any way.

1. The heater is designed for indoor or outdoor installation in a horizontal position. Allow the following clearances from any combustible material or fuel containers.

| | | | |
|---------------|---------|--------|--------|
| Front Outlet: | 20 feet | Sides: | 2 feet |
| Intake: | 2 feet | Top: | 4 feet |

Also make sure that no flammable vapors are present in the space where the heaters is being used.

2. The heater should be inspected before each use, and at least annually by a qualified service person.
3. The hose assembly must be inspected prior to each use of the heater. If it is evident that there is excessive abrasion or wear, or the hose is cut, it must be replaced prior to the heater being put into operation. The replacement hose assembly shall be that specified by the manufacturer.
4. When connecting the heater to a natural gas or propane supply line ensure that the pressure at the heater inlet is within the specified range. Excessive pressure over (60 PSI) will damage the controls and void the warranty.
5. Connect the hose assembly to the heater gas inlet elbow. The 1800B elbow has a 3/4" female NPT thread, 1800BL elbow has a 1/4" female NPT thread. Use a minimum inside diameter of 1/2" on LP or 3/4" on natural gas installations. Ensure that the hose assembly is protected from traffic, building materials, and contact with hot surfaces.
6. After installation, check hose assembly for gas leaks by applying a soap and water solution to each connection.
7. Connect the heater to an adequate 120 volt electrical supply as specified on the rating plate. For protection against shock hazard the supply cord should be plugged directly into a properly grounded three-prong receptacle.

| |
|--|
| EXTENSION CORDS: Properly Wired and Grounded Use #14 wire up to 100' Use #12 wire up to 200' Use #10 wire up to 300' |
|--|

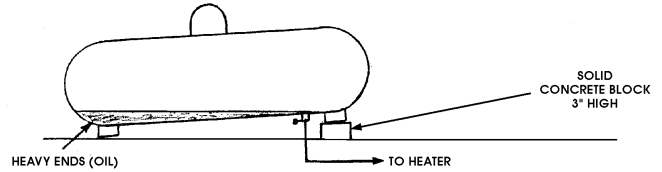
8. Replacement parts are available from any Heat Wagon distributor or by calling 1-888-432-8924.



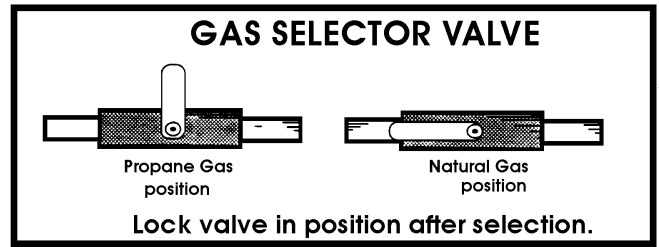
MODEL 1800B & 1800BL

PROPER SET UP:

Model 1800BL is a liquid withdrawal unit. This unit will use 8.25 gal of LP per hour. Use at least (1) 200 gal. withdrawal tank. This will insure 20 hours of continuous operation. Since the 1800B(L) is a Liquid Propane unit, it must be set up outside of the building. Use 3/8" or 1/2" LPG approved hose or copper tube.



Model 1800B is a Vapor Propane or Natural Gas unit. When using Propane (liquid or vapor) turn the fuel selector valve (located on the lower manifold) to the Propane position. When using Natural Gas turn the selector valve to the Natural Gas position. This unit can be set up indoors or out.



VAPOR PROPANE QUICK REFERENCE HOSE CHART

| Hose Length in Feet | BTU 750,000 | |
|---------------------|-------------|-------|
| | 1/2PSI | 10PSI |
| 10 | 1 | 3/4 |
| 25 | 1-1/4 | 3/4 |
| 35 | 1-1/4 | 3/4 |
| 50 | 1-1/2 | 3/4 |
| 75 | 1-1/2 | 3/4 |
| 100 | 1-1/2 | 3/4 |
| 125 | 2 | 3/4 |
| 150 | 2 | 3/4 |
| 175 | 2 | 3/4 |
| 200 | 2 | 3/4 |
| 225 | 2 | 3/4 |

NATURAL GAS QUICK REFERENCE HOSE CHART

| Hose Length in Feet | BTU 750,000 | | | |
|---------------------|-------------|-------|-------|------|
| | <1PSI | 1PSI | 2PSI | 5PSI |
| 10 | 1-1/2 | 1 | 3/4 | 3/4 |
| 25 | 1-1/2 | 1 | 3/4 | 3/4 |
| 35 | 1-1/2 | 1 | 3/4 | 3/4 |
| 50 | 2 | 1 | 1 | 3/4 |
| 75 | 2 | 1-1/4 | 1 | 3/4 |
| 100 | 2 | 1-1/4 | 1 | 3/4 |
| 125 | 2 | 1-1/4 | 1-1/4 | 3/4 |
| 150 | 2 | 1-1/4 | 1-1/4 | 3/4 |
| 175 | 2 | 1-1/4 | 1-1/4 | 3/4 |
| 200 | 2-1/2 | 1-1/4 | 1-1/4 | 3/4 |
| 225 | 2-1/2 | 1-1/4 | 1-1/4 | 3/4 |

| VAPORIZATION RATES IN BTUH @ 0 DEG. F | | | | | | | |
|---------------------------------------|----------------------------|---------------------------|-----------|-----------|-----------|-----------|-----------|
| TANK SIZE | NUMBER OF TANKS MANIFOLDED | PERCENTAGE OF TANK FILLED | | | | | |
| | | 10% | 20% | 30% | 40% | 50% | 60% |
| 250 | 1 | 126,900 | 169,200 | 197,400 | 225,600 | 253,800 | 282,000 |
| | 2 | 279,180 | 372,240 | 434,280 | 496,320 | 558,360 | 620,400 |
| | 3 | 486,027 | 648,036 | 756,042 | 864,048 | 972,054 | 1,080,060 |
| 500 | 1 | 198,135 | 264,180 | 308,212 | 352,240 | 396,270 | 440,300 |
| | 2 | 435,897 | 581,196 | 687,066 | 774,928 | 871,794 | 968,660 |
| | 3 | 758,857 | 1,011,809 | 1,180,451 | 1,349,079 | 1,517,714 | 1,686,349 |
| 1000 | 1 | 354,240 | 472,320 | 551,040 | 629,760 | 708,480 | 787,200 |
| | 2 | 779,328 | 1,039,104 | 1,212,288 | 1,385,472 | 1,558,656 | 1,731,840 |
| | 3 | 1,356,739 | 1,808,985 | 2,110,483 | 2,411,980 | 2,713,478 | 3,014,976 |

NOTE: USE FOLLOWING MULTIPLIERS FOR OTHER AIR TEMPERATURES

- For -10° F multiply x 0.50
- For + 10°F multiply x 1.5
- For +20°F multiply x 2.0
- For +40°F multiply x 3.0
- For +50°F multiply x 3.5
- For +60°F multiply x 4.0



INSTALLATION USING A PROPANE SUPPLY TANK(S)

- 1) When installing the heater for use with propane gas, set the gas selector to "Propane" and lock in position.
- 2) The propane supply system must be set up for vapor withdrawal from the operating tank(s). Liquid Propane can cause the heater to overfire and will damage valve train components.
- 3) The heater must be located at least 6 ft from any LP-Gas container, and not directed toward any LP-Gas container within 20 ft.
- 4) Minimum Tank Size(vapor propane) Outdoor Temperature

| | |
|---------------|------------------|
| 500 Gal. | Above +25°F |
| 1000 Gal. | +25°F to + 10° F |
| 2 x 1000 Gal. | Below +10°F |
- 5) The installation must conform with local codes, or in the absence of local codes, with the Standard for Storage and Handling of Liquefied Petroleum Gasses ANSI/NFPA 58.
- 6) Turn off the propane supply valve at the tank(s) when the heater is not in use.
- 7) When the heater is to be stored indoors the propane tank(s) must be disconnected from the heater and the tank(s) stored in accordance with Chapter 5 of the above National Standard.

COMMON INSTALLATION AND OPERATIONAL PROBLEMS

- 1) **LOW VOLTAGE AT THE HEATER**
This is one of the most common problems and is usually the result of the supply cord having too small a wire gauge for its length, or low voltage at the power source. Low voltage results in the motor overheating, burnt relay contacts, or a relay that will not make contact. Check voltmeter before start-up.
- 2) **SUPPLY LINE TOO SMALL**
See Reference Hose Chart page 6.
- 3) **INSUFFICIENT VAPORIZATION AT SUPPLY**
Normally caused by undersized supply tank.
- 4) **IMPROPER GAS SUPPLY PRESSURE**
Usually a result of propane supply pressure being too high because of improper or lack of regulation or too low of natural gas pressure at meter.
- 5) **DIRTY GAS SUPPLY OR AIR IN SUPPLY LINE**
Dirty gas can cause strainers to plug or form a build-up in the burner orifice. Bleed line before tightening connections at heater during install.
- 6) **LACK OF PREVENTIVE MAINTENANCE**
Heaters must be cleaned as required, especially when used in a dirty environment.
- 7) **IMPROPER SUPPLY OF FRESH AIR**
It is strongly recommended that the intake air of the heater be taken from outside the enclosed area. This provides a slight pressurization and prevents any problems associated with recirculation of products of combustion.

ON-SITE SAFETY PROBLEMS

1) SHORTING OUT OF DEFECTIVE COMPONENTS

This is a very common problem which saves short term expense at the risk of a large future cost. Any heaters found in this condition should be removed immediately.

2) IMPROPER ENCLOSURES

When heaters are installed partially to the outside for fresh air intake, strict adherence must be made to the minimum clearance to combustibles given on the instruction plate. Wood framing around a heater can cause a safety hazard.

3) SUPPLYING LIQUID PROPANE TO HEATER NOT EQUIPPED WITH A BUILT IN VAPORIZER

This problem has occurred upon initial start-up. To minimize the damage, shut off the gas supply and let the heater run until all of the liquid in the lines had been consumed.

OPERATING INSTRUCTIONS

- 1) Set the gas selector valve for fuel being used. Confirm incoming supply gas pressure.
- 2) Open manual shut-off valve on heater.
- 3) Connect power supply (120 volt). Check with a voltmeter to confirm full voltage.
- 4) SLOWLY open shut-off valve at gas meter or propane tank. Check for leaks, bleed air from supply hose at heater.
- 5) Push up the "ON" switch.
- 6) Set thermostat for desired room temperature.
- 7) To stop, turn thermostat down or push down the stop switch.
(Burner will turn off; after 5 seconds fan will turn off.)
- 8) Close manual shut-off valve on heater.

NOTE: "FAN ONLY" switch must be in the Off position for Heat Mode.

NOTE: If the heater will be shut down over night, close valve at fuel supply first and burn all gas out of line.

The appliance area should be kept clear and free from combustible materials, gasoline, and other flammable vapors and liquids.

Ensure that the flow of supply air and combustion gases is not obstructed.

The installation and operation of the heater shall comply with the code requirements specified by the authorities having jurisdiction.

General criteria for the use of construction heaters may be found in the applicable sections of American National Standard A-10.10-1987, Safety Requirements for Temporary and Portable Space Heating Devices and Equipment Used in the construction industry.

THE INSTALLATION AND MAINTENANCE OF THE HEATER MUST BE ACCOMPLISHED BY A QUALIFIED SERVICE PERSON.

MODEL 1800B & 1800BL
SEQUENCE OF COMPONENT OPERATION

- 1) **POWER SUPPLY**
Plug the heater into a 120 Volt grounded receptacle. Power is now at the 20 amp fuse and the amp circuit breaker. Power light illuminates.
- 3) **20 AMP FUSE & 3 AMP BREAKER**
If the circuit breaker and fuse are good there will be power at the thermostat and at the motor relay (normally open). Fuse light illuminates.
- 2) **ON SWITCH**
With the "ON" switch on, it sends power to the "OFF" switch and the control relay. (Normally open terminal and it's solenoid coil.)
- 4) **CONTROL RELAY**
After receiving power from the "OFF" switch, the relay closes, a loop between the 3amp breaker and the (NC) "OFF" Switch.
- 5) **OFF SWITCH**
Power is sent from "OFF" Switch to (L1) terminal of DSI control and the (COM) terminal of the thermostat.
- 6) **THERMOSTAT**
When the thermostat calls for heat there will be power at (TH) terminal of the DSI control and Air Flow Switch (COM) Terminal.
- 7) **DSI CONTROL**
Sends power from (IND) terminal to coil of the motor relay.
- 8) **MOTOR RELAY**
With its coil energized it closes its contacts, sending power to the fan motor.
- 9) **FAN MOTOR**
Turns the fan blade causing the air flow switch to close.
- 10) **AIR FLOW SWITCH**
Received its power from the thermostat and sends the power to the indicator light and the DSI control (PSW) terminal.
- 11) **DSI CONTROL**
Sends power from the (V1) post to the high limit.
- 12) **HI TEMPERATURE LIMIT SWITCH**
This switch has normally closed contacts, it sends power to the gas solenoid valves. Lo valve and Hi valve lights illuminate.
- 13) **GAS SOLENOID VALVE**
With the coil energized, the valve opens, gas passes through to the burner and ignites.
- 14) **FLAME SAFEGUARD CONTROL**
This is now sensing flame through the flamerod and the spark stops. The heater is operating.
- 15) **THERMOSTAT**
When it is satisfied, the contacts open taking power away from the (TH) terminal of the DSI control, the gas valve closes, and the built-in fan delay timer is activated.
- 16) **BUILT-IN FAN DELAY TIMER ON DSI CONTROL**
This will operate the fan motor for approximately 10 seconds and turns the fan off.

TROUBLE SHOOTING

DIRECTIONS: Find the specific symptom. refer to the Sequence of component Operation Guide. Check the components listed with a voltmeter for proper operation as described. Replace any components not operating correctly.

Fan will not start when ON switch & thermostat are ON.

- Check sequences 1 through 8 (Page 9).

Fan runs, no spark for ignition.

- Check sequences 10 and 11 (Page 9).
- Check continuity of igniter leads. Replace if shorted or broken.
- Check igniter for carbon buildup, gap spacing (1/8"), secure mounting.
- Replace spark plug if porcelain is cracked or if electrodes are rubbery.

Have spark but no flame.

- Check sequences 11, 12 and 13 (Page 9).
- Check for gas pressure on the manifold gauge, if gas is present clean the port holes in burner.

Flame occurs but burner locks out after a few seconds.

- Check the flame rod, if the porcelain is cracked or the electrode is rubbery, replace it.
- If the 1st step checks out, replace the DSI control.

Flame occurs but small.

- Verify supply pressure, hose diameter.
- Check proper pressure at manifold gauge. If yes:
 - A) Clean port holes in burner.
 - B) Check proper position of Gas selector valve (For Natural Gas).
- Not enough pressure at manifold gauge:
 - A) Check fuel supply.
 - B) Check strainer for restriction.
 - C) Check for restriction at high pressure regulator.
 - D) Check for restriction at solenoid valves.

Fan does not shut off when thermostat turns off burner.

- Fan should run for 10 to 15 seconds after burner shuts off. Replace DSI control if fan runs over 30 seconds.

Fan runs, no fuel or spark.

- Check to see if the Air Switch light is on, if not, clean or adjust the airflow switch.

CONTROL BOX TROUBLESHOOTING LIGHTS

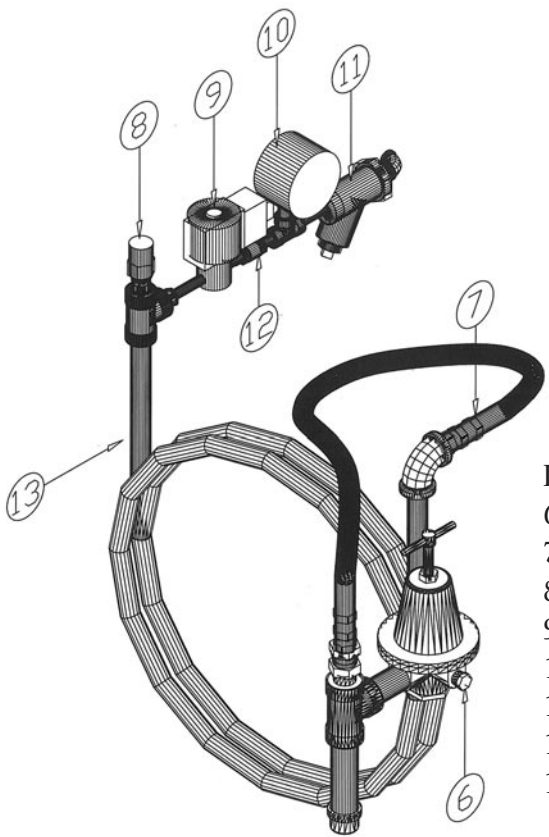
| | LIGHT ON | LIGHT OFF |
|----------------|--|--|
| POWER | Power to Unit | Check Power Source |
| FUSE | Fuse Good | Replace Fuse |
| MOTOR | Power to Motor Relay | No Power to Motor Relay |
| AIR SWITCH | Switch Closed When Fan Running Good | No Power Going Through Switch - Switch Open Check & Adjust With Fan Running |
| GAS LOW | Thermostat calling for First Stage Heat | Check Thermostat and High Limit |
| GAS HIGH | Thermostat calling High Heat | Check Thermostat |
| BURNER FAILURE | Failure to Light Burner Check Ignitor and Flame Sensor Check High Limit Check Gas Pressure Check Manifold Pressure | No Problems |

PREVENTATIVE MAINTENANCE

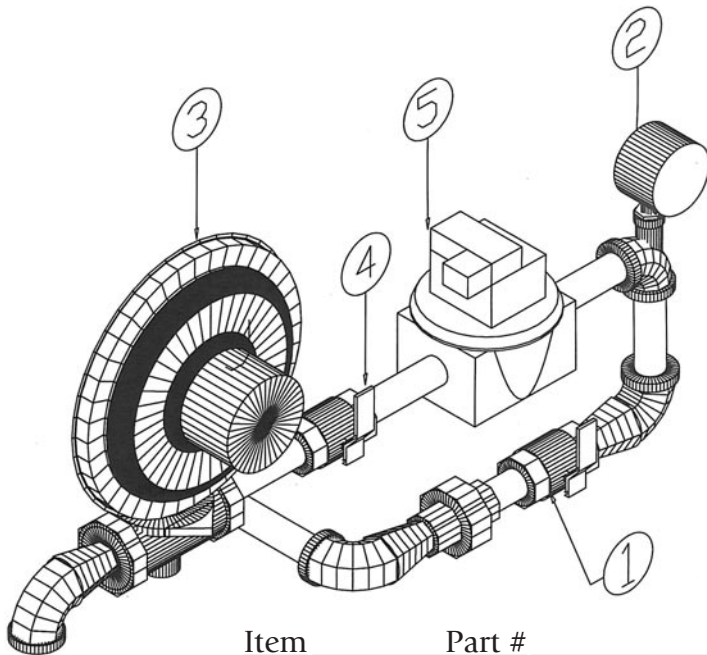
Heat Wagon Construction Heaters are built to withstand the rigors of operating on construction sites, for mining applications, and a multitude of other locations. To maintain the reliable performance required it is necessary to do a certain amount of regular maintenance.

- | | |
|---|--|
| <p>1) CHECK POWER CORD</p> <ul style="list-style-type: none"> A. Insulation not frayed or cracked. B. Ground peg is there on male end. C. Polarity is correct (Black wire on fuse, white wire on neutral block). <p>2) CHECK ALL WIRING FOR PROPER CONNECTIONS</p> <p>3) CHECK MOTOR RELAY</p> <ul style="list-style-type: none"> A. If it buzzes, clean contacts or replace. B. Check for voltage drop through contacts, if its more than 2 volts replace. <p>4) CHECK AIR FLOW SWITCH</p> <ul style="list-style-type: none"> A. Blow out the inlet tube and negative pressure fitting. B. Adjust the switch, light on control panel stays on if the heater is bumped and shuts off if fan inlet is blocked. <p>5) CLEAN THE BURNER</p> | <p>5) CLEAN THE BURNER</p> <ul style="list-style-type: none"> A. Clean out the port holes (gas outlet). B. Clean air mixture holes. <p>6) CHECK SPARK PLUG/SENSOR</p> <ul style="list-style-type: none"> A. Remove sensor probe; replace or clean w/sandpaper. B. Clean and regap spark plug at 1/8" or replace. <p>7) CHECK FOR GAS LEAKS</p> <ul style="list-style-type: none"> A. Operate the heater, (with leak detector or soapy water) check all pipe connections for leaks. <p>8) TIGHTEN ALL BOLTS</p> <ul style="list-style-type: none"> A. Motor mounts B. Fan blade C. Burner mount D. Pipe train mounts |
|---|--|

MODEL 1800BL LIQUID PIPE TRAIN



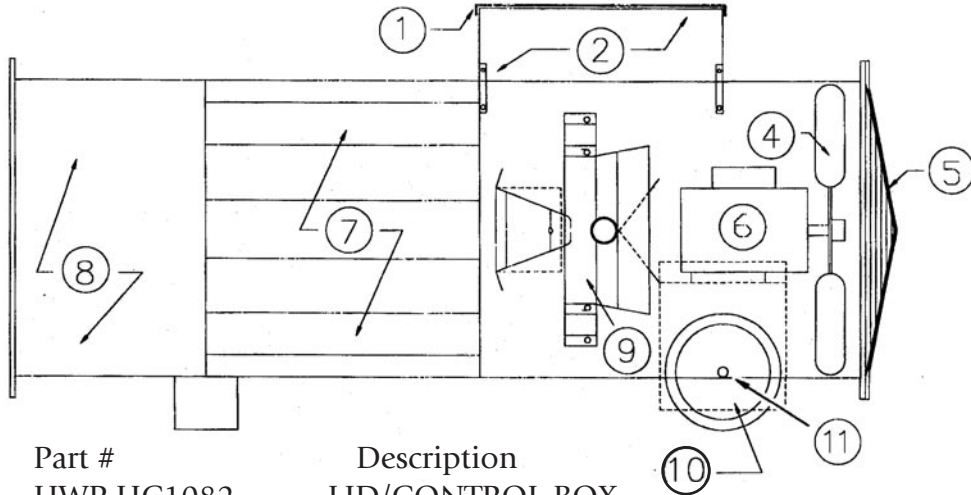
| Item# | Part # | Description |
|-------|-------------|-------------------------------|
| 6 | HWP HR1053 | HIGH PRESSURE REGULATOR |
| 7 | HWP HV1042B | HOSE |
| 8 | HWP HV1039 | SAFETY RELIEF VALVE |
| 9 | HWP HV1137 | LIQUID PROPANE SOLENOID VALVE |
| 10 | HWP HV1060 | LIQUID PRESSURE GAUGE |
| 11 | HWP HV1129 | LIQUID STRAINER |
| 12 | HWP HV1123 | MANUAL SHUT-OFF VALVE |
| 13 | HWP HV1140 | VAPORIZER RING 18" |



MODEL 1800B VAPOR PIPE TRAIN

| Item | Part # | Description |
|------|------------|-------------------------------|
| 1 | HWP HV1160 | 1" Locking Gas Selector Valve |
| 2 | HWP HV1169 | 15" W.C. Low Pressure Gauge |
| 3 | HWP 40SV06 | 2nd Stage Regulator 3/4" x 1" |
| 4 | HWP HV1035 | 1" Ball Valve |
| 5 | SFP 4490 | Two Stage Regulator Valve |

MODEL 1800B(L) PARTS BREAKDOWN



| Item# | Part # | Description |
|-------|-------------|----------------------------|
| 1 | HWP HC1082 | LID/CONTROL BOX |
| 2 | HWP HC1083 | CONTROL BOX WO/LID |
| 4 | HWP HP1161 | FAN BLADE |
| 5 | HWP HG1167 | FAN GUARD |
| 6 | SFP 9262 | MOTOR 1 HP |
| 7 | HWP HB1177B | HEAT SHIELD |
| 8 | HWP HB1800B | BODY |
| 9 | HWP HB1171 | BURNER |
| 10 | HWP HW1164 | WHEEL 8"x 1.75" x 1/2" HUB |
| 11 | HWP HW1164B | AXLE FOR 1800B |

Accessories



REGULATOR
#HWP HR1053



**P-O-L FITTING TO
CONNECT TO
PROPANE SUPPLY**
#HWP G1680



**0-30 PSI
PRESSURE
GAUGE**
#HWP HV1027



**HIGH
TEMPERATURE
DUCT**
950H
#ACC WD2425HT



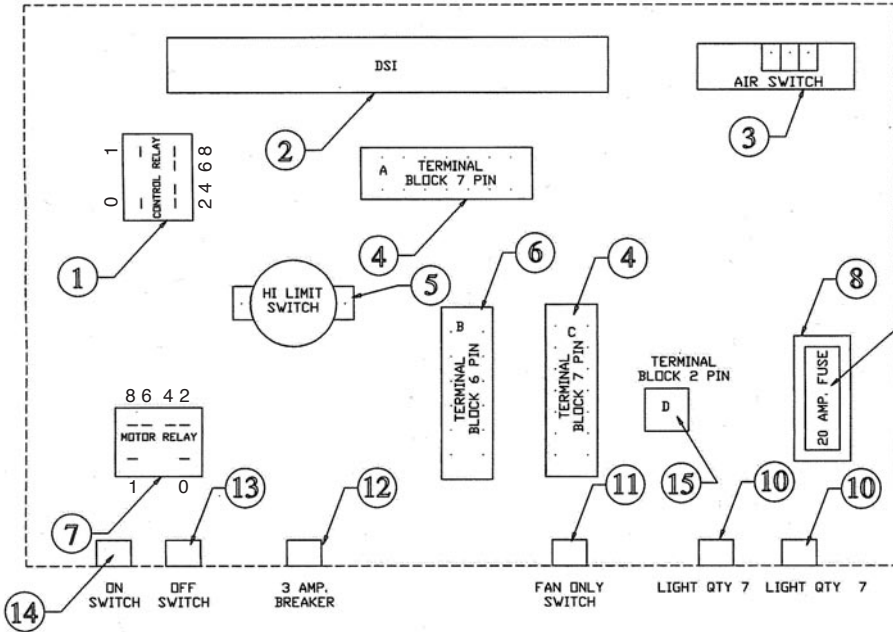
GAS HOSE
#ACC-7525 - 3/4" x 25'
#ACC-7550 - 3/4" x 50'
#ACC-1025 - 1" x 25'
#ACC-1050 - 1" x 50'

CSA certified for NG
and Propane

Female Swivel Union
Included

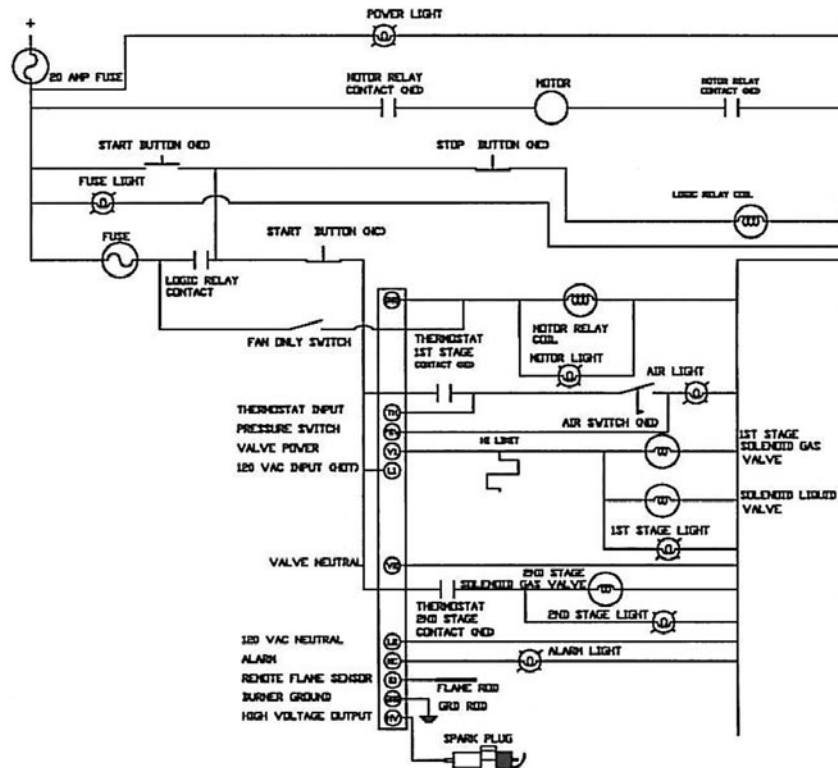
1800B
#ACC WD2010UHT

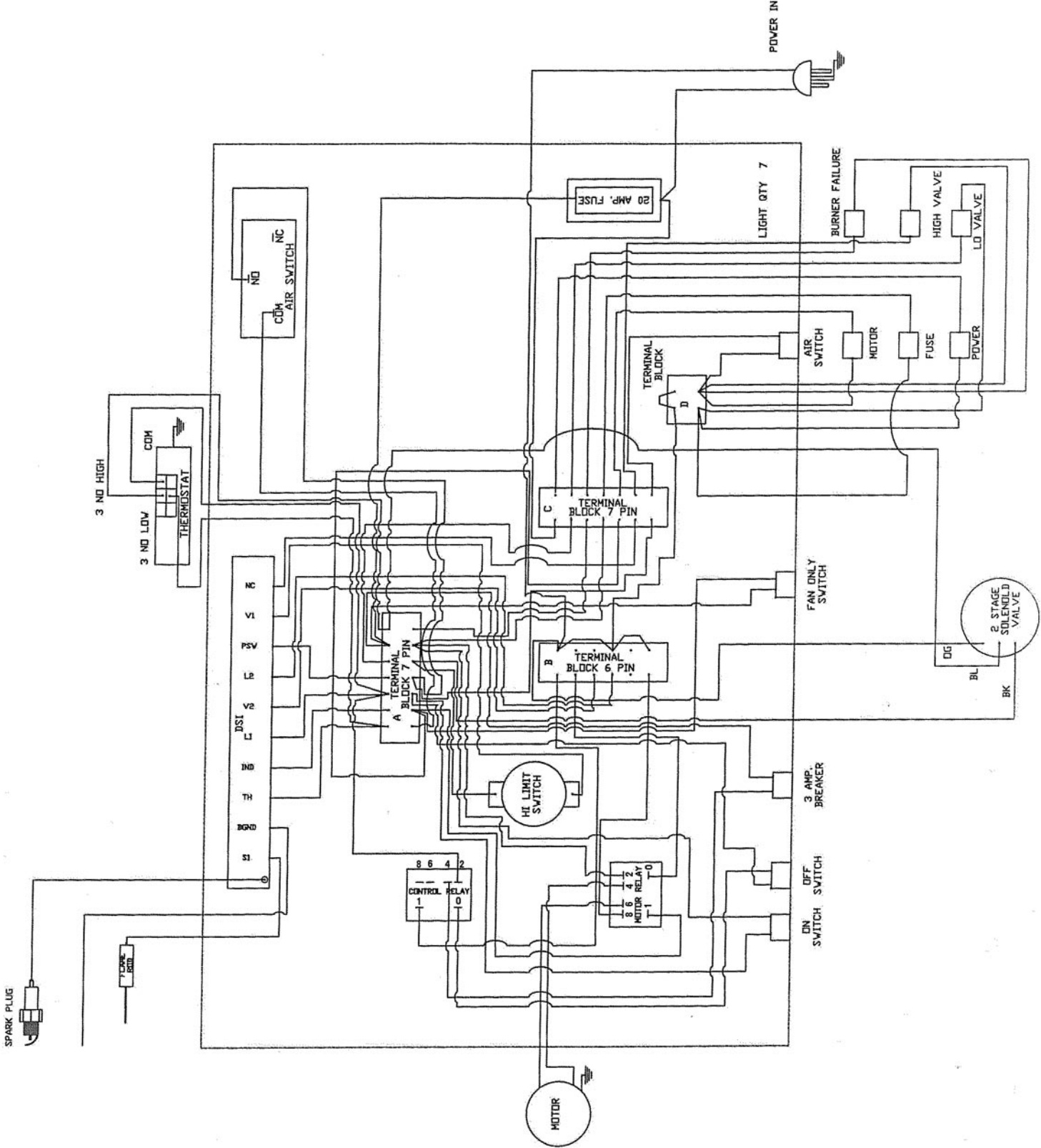
CONTROL BOX PARTS



| Item | Part # | Description |
|------|---------------|--|
| 1 | SFP 9264 | Control Relay |
| 2 | HWP HC1001D | DSI Control |
| 3 | SFP S1500-710 | Air Switch |
| 4 | HWP HC1123 | Terminal Block (A,C) |
| 5 | SFP 2446 | Hi Limit Switch |
| 6 | HWP HC1123 | Terminal Block (B) |
| 7 | SFP 9264 | Motor Relay |
| 8 | HWP HC1122 | Fuse Block |
| 9 | HWP HC1115 | Fuse 20 amp |
| 10 | HWP 44130 | Light |
| 11 | HWP HC1011 | Fan Only Switch |
| 12 | HWP HC1019B | 3amp Breaker |
| 13 | HWP HC1150 | OFF Switch |
| 14 | HWP HC1149 | ON Switch |
| 15 | HWP HC1123 | Terminal Block (D) |
| | HWP HC1120 | Thermostat (w/o cord)(not shown) |
| | HWP HC1020 | Power cord (not shown) |
| | HWP HC1005 | Ignition wire assembly (not shown) |
| | HWP HC1006 | Flame rod wire assembly (not shown) |
| | SFP 2142 | Spark plug (not shown) |
| | SFP SL11B86 | Flame rod (not shown) (Cut 2-1/2" from ceramic) |

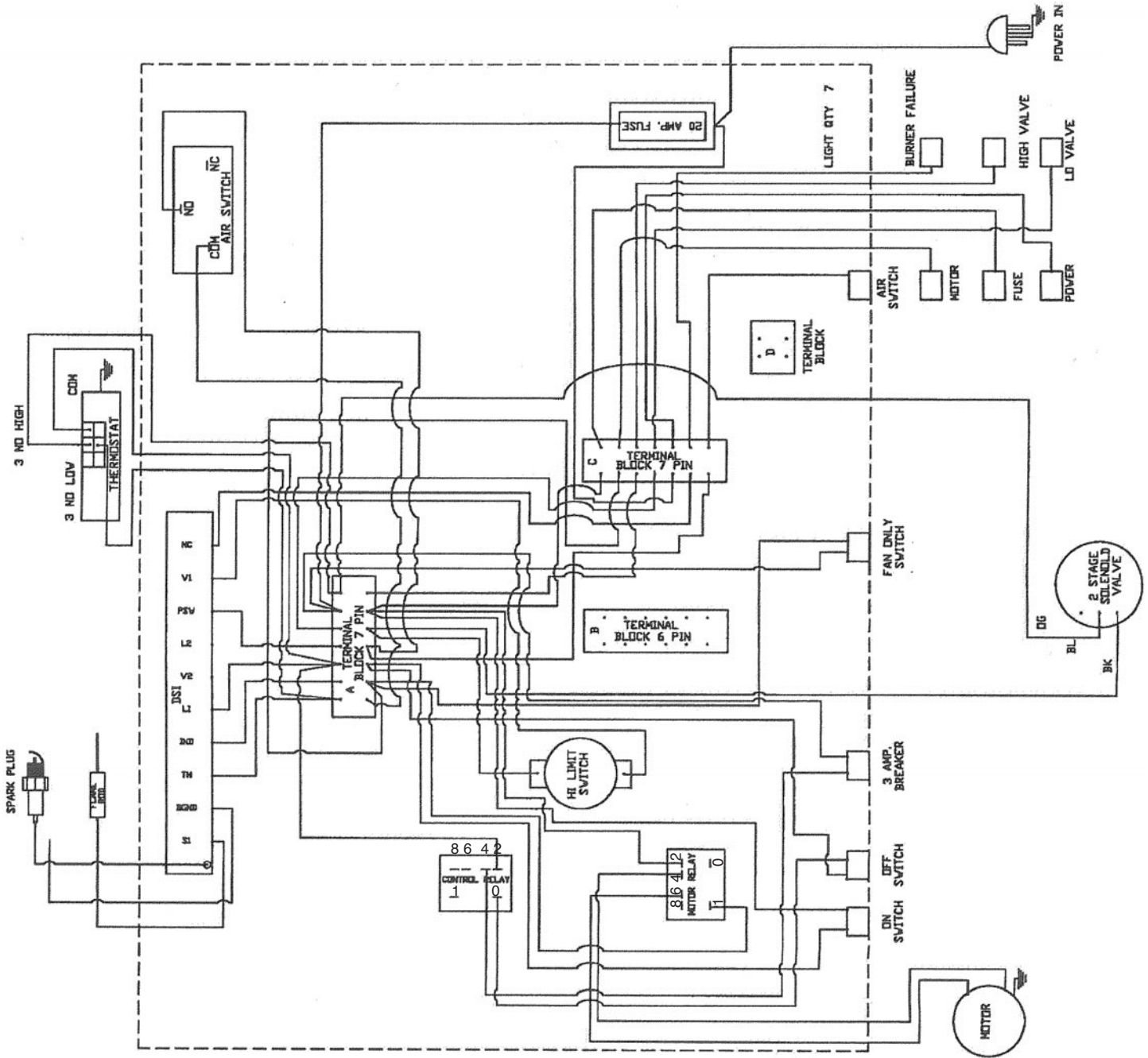
MAIN CIRCUIT DIAGRAM





1800B CONTROL BOX WIRING

No Neutral Shown





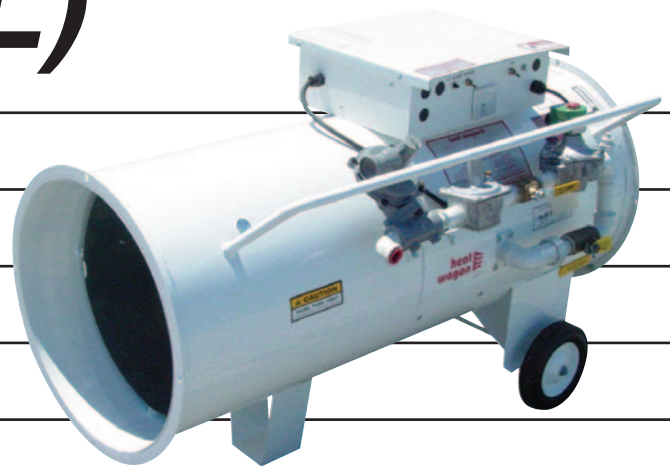
342 N. Co. Rd. 400 East
Valparaiso, IN 46383
219-464-8818 • Fax 219-462-7985
www.heatwagon.com

Manuel d'installation et d'entretien

Veillez garder ce manuel comme référence ultérieure.

1800B(L)

**Chauffage
pour construction**



NRTL
ANSI Z83.7
CHAUF. CONST.

Pour votre sécurité : N'utilisez pas ce chauffage dans un lieu où sont entreposés essence ou autres liquides à vapeurs inflammables.

MISE EN GARDE GÉNÉRALE SUR LES RISQUES DU CHAUFFAGE POUR CONSTRUCTION:

Le non respect des précautions et instructions fournies avec ce chauffage peut entraîner blessures graves voire mortelles, dégâts ou perte de biens résultant des risques d'incendie, explosion, brûlure, asphyxie, empoisonnement au monoxyde de carbone, et/ou électrocution.

Seules des personnes qui peuvent comprendre et appliquer les instructions pourront utiliser ce chauffage ou intervenir dessus.

Si vous avez besoin d'aide ou d'informations concernant le chauffage, comme manuel d'instructions, étiquettes, etc., veuillez contacter votre revendeur local de Heat Wagon ou directement le constructeur.

A V E R T I S S E M E N T

Risques par incendie, brûlures, inhalation et explosion. Maintenir les combustibles sous forme de solides, comme matériaux de construction, papiers et cartons, suffisamment à l'écart du chauffage, comme recommandé dans les instructions. N'utilisez jamais le chauffage dans des espaces qui contiennent ou pourraient contenir des combustibles volatils ou en suspension dans l'air, ou des produits tels qu'essence solvants, diluant pour peinture, particules de poussière ou produits chimiques inconnus.

NON PRÉVU POUR UTILISATION À DOMICILE OU DANS UN VÉHICULE DE LOISIRS!

INFORMATIONS IMPORTANTES! À LIRE EN PREMIER

Le chauffage est conçu pour une utilisation sur chantier de construction selon la norme ANSI Z83.7a-1993. La fonction principale des appareils de chauffage pour construction est de fournir un chauffage temporaire des bâtiments en construction, modification ou restauration, et de fournir de la chaleur en cas d'urgence. Correctement utilisé, le chauffage fournit de la chaleur de façon sûre et économique. Les produits de combustion sont ventilés dans la zone qui est chauffée.

Ce chauffage **N'EST PAS** conçu comme chauffage au gaz sans ventilation pour pièce d'habitation selon la norme ANSI-Z21.11.2 et **NE DOIT PAS** être utilisé à domicile.

La norme ANSI A119.2 (NFPA 501C)-1987 concernant les véhicules de loisirs interdit l'installation ou l'entreposage de bouteilles de gaz LP/propane, même temporairement, à l'intérieur des véhicules de loisirs. La norme interdit également l'utilisation de chauffage sans ventilation dans de tels véhicules.

NORME NFPA-58 1989 POUR STOCKAGE ET MANUTENTION DE GAZ DE PÉTROLE LIQUÉFIÉ, ET NORME POUR LES INSTALLATIONS AU GAZ NATUREL ET AU PROPANE CSA B149.1

L'utilisation du chauffage doit se faire en conformité avec cette norme et toutes les normes en vigueur au niveau national et local. Stockage et manutention du gaz propane et des bouteilles de propane doivent se faire en conformité avec les normes pour stockage et manutention des gaz de pétrole liquéfié, ANSI/NFPA 58 et CSA B149.1, la norme pour installations au gaz naturel ou propane, et toutes les réglementations locales en vigueur.

Nous ne pouvons pas anticiper chaque utilisation qui pourrait être faite avec nos chauffages. **VÉRIFIEZ AUPRÈS DE VOTRE AUTORITÉ LOCALE EN PRÉVENTION DES INCENDIES SI VOUS AVEZ DES QUESTIONS SUR LES RÉGLEMENTATIONS LOCALES.**

D'autres normes régissent l'utilisation des carburants gazeux et des produits générateurs de chaleur dans des applications spécifiques. Votre autorité locale peut vous en informer.

POUR VOTRE SÉCURITÉ

N'UTILISEZ PAS CE CHAUFFAGE DANS UN ENDROIT OÙ ESSENCE OU AUTRES LIQUIDES PRODUISANT DES VAPEURS INFLAMMABLES SONT ENTREPOSÉS OU UTILISÉS.

Manuel d'installation et d'entretien Modèle 1800B(L) Chauffage pour construction

Table des matières:

| | Page |
|---|-------------|
| Specifications | 4 |
| Installation | 5 |
| Mise en œuvre correcte | 6 |
| Calibre de tuyau | 6 |
| Calibre de cordon | 5 |
| Instructions d'utilisation | 8 |
| Séquence du fonctionnement des composants | 9 |
| Dépannage | 10 |
| Maintenance préventive | 11 |
| Pièces détachées | 12-14 |
| Schémas de câblage | 14-16 |

GARANTIE

Tous les chauffages et ventilateurs Heat Wagon et Sure Flame sont garantis contre les défauts venant de matériaux et main d'œuvre pendant un (1) an à compter de leur date de facturation.

Les réparations sous garantie ne peuvent être effectuées que par un revendeur Heat Wagon agréé, formé et certifié. Des réparations par d'autres entités ne seront pas considérées dans le cadre de la garantie. Les demandes concernant l'application de la garantie doivent inclure la référence de modèle et son numéro de série.

LIMITATIONS

Les demandes d'application de garantie pour des pièces de service (à usure normale) comme bougies, allumeurs, électrodes d'allumage, ne seront pas prises en compte. Les pièces servant au diagnostic, comme voltmètres et manomètres, ne sont pas sous garantie.

Une évidence de mauvaise utilisation du carburant, de pressions de carburant hors des spécifications du constructeur, de mauvaise qualité de carburant, d'alimentation électrique incorrecte, d'application inadaptée ou d'abus, peut causer un rejet des demandes d'application de la garantie.

Les durées de trajet, le kilométrage et les charges d'expédition ne seront pas pris en compte. Les réglages mineurs des chauffages sont de la responsabilité des revendeurs. Les pièces défectueuses devront être étiquetées et gardées à disposition pour un éventuel retour à l'usine pendant 60 jours à compter de la date de réparation. L'usine enverra une autorisation de renvoi de marchandises (RGA) pour les pièces défectueuses devant être retournées.

Aucune garantie ne sera accordée pour des pièces non achetées chez Heat Wagon.



342 N. Co. Rd. 400 East • Valparaiso, IN 46383
219-464-8818 • 888-432-8924 • Fax 800-255-7985
www.heatwagon.com

DISPOSITIFS DE SÉCURITÉ À LA CONCEPTION

1) DÉFAUT DE FLAMME

Le contrôle électronique de sécurité coupe l'alimentation en gaz en 0,8 seconde si la flamme s'éteint, pour éviter que du gaz non brûlé ne quitte le chauffage.

2) SURCHAUFFE

Le moteur sous boîtier possède un dispositif de protection thermique à restauration manuelle. Un contacteur déclenchant sur température trop élevée est monté dans le boîtier de commande.

3) VOYANTS INDICATEURS COMPLETS/AUTO DIAGNOSTIC

4) ADMISSION D'AIR OBSTRUÉE

Un contacteur sur l'écoulement d'air détecte la pression différentielle dans la chambre de combustion et coupe l'arrivée de gaz si le débit d'air est insuffisant.

5) LEVIER DE VERROUILLAGE DE SÉLECTION DE GAZ

Pour éviter une surcombustion du chauffage et des dégâts matériels, assurez-vous que le levier est verrouillé en bonne position quand vous utilisez du propane.

6) TEMPÉRATURE D'ENVELOPPE MODÉRÉE

Le modèle 1800B(L) est conçu avec un écran contre la chaleur du brûleur afin de maintenir l'enveloppe extérieure tiède pour plus de sécurité sur le lieu de travail.

7) CONSTRUCTION DURABLE

Le modèle 1800B(L) utilise une enveloppe en acier épais et un brûleur en acier inox, pour une longue durée de service avec une performance régulière.

REMARQUE: Afin de maintenir la combustion très efficace du chauffage, sa chambre de combustion doit rester telle qu'elle a été fabriquée. Tout changement ou distorsion pourrait altérer le mélange gaz carburant/air et créer un excès de sous-produits de combustion.

INSTALLATION

Le modèle Heat Wagon 1800B (L) est un chauffage au gaz à combustion directe prévu pour être utilisé principalement pour réchauffer temporairement un bâtiment en cours de construction, modification ou restauration. Comme tous les sous-produits de combustion sont rejetés directement dans le volume à réchauffer, il est impératif qu'une ventilation adéquate soit fournie. L'écoulement d'air d'admission et des gaz de combustion ne doit en aucune façon être obstrué.

1. Le chauffage est conçu pour une installation à l'intérieur ou à l'extérieur, en position horizontale. Laissez les écartements suivants par rapport à tous matériaux combustibles ou conteneurs de carburant :

| | | | |
|------------------|-----------------|---------|-----------------|
| Sortie frontale: | 20 pieds (6 m) | Côtés: | 2 pieds (0,6 m) |
| Admission: | 2 pieds (0,6 m) | Dessus: | 4 pieds (1,2 m) |

Assurez-vous également que des vapeurs inflammables ne sont pas présentes dans l'espace d'utilisation des chauffages.

2. Le chauffage doit être inspecté par l'utilisateur avant chaque démarrage, et au moins une fois par an par un agent de service qualifié.

3. L'ensemble de tuyauterie doit être inspecté avant chaque utilisation du chauffage. S'il est évident qu'il présente trop d'abrasion ou d'usure, ou si le tuyau est coupé, il faut le remplacer avant de pouvoir utiliser le chauffage. L'ensemble de tuyauterie de remplacement doit être de la référence spécifiée par le constructeur.

4. Quand vous branchez le chauffage sur une conduite d'alimentation en gaz naturel ou propane, assurez-vous que la pression à l'entrée du chauffage est dans la plage spécifiée. Une pression excessivement forte (60 PSI) endommagerait les commandes et annulerait la garantie.

5. Raccordez l'ensemble de tuyauterie sur le coude d'entrée de gaz du chauffage. Le coude du 1800B a un filetage NPT femelle 3/4", celui du 1800BL a un filetage NPT femelle 1/4". Utilisez un diamètre interne minimum pour les installations de 1/2" avec du gaz propane ou 3/4" avec du gaz naturel.

6. Après l'installation, vérifiez que l'ensemble de tuyauterie ne présente pas de fuites, en appliquant une solution d'eau savonneuse sur chaque connexion.

7. Branchez le chauffage sur une prise secteur 115 V adéquate, comme spécifié sur la plaque signalétique. Pour protéger du risque de commotion électrique, le cordon secteur doit être enfilé directement dans une prise secteur trois broches correctement reliée à la terre.

CORDONS RALLONGES:

Avec câblage et liaison de terre corrects
Utiliser du calibre de fils 14 jusqu'à 30 m
Utiliser du calibre de fils 12 jusqu'à 60 m
Utiliser du calibre de fils 10 jusqu'à 90 m

8. Des pièces de rechange sont disponibles chez tout revendeur Heat Wagon, ou bien appelez au 1-888-432-8924 pour obtenir des informations concernant les pièces.

MODÈLES 1800B ET 1800BL

MISE EN ŒUVRE CORRECTE:

Modèle 1800BL: c'est une unité à soutirage de carburant liquide, qui consomme 8.25 gallons de pétrole liquéfié à l'heure en fonctionnement plein feu. Utilisez un réservoir de soutirage pouvant contenir au moins 200 gallons. Cela permettra un fonctionnement en continu de 20 heures. Comme le 1800BL est une unité à propane liquide, elle doit être mise en place en dehors du bâtiment. Utilisez un tuyau ou une tubulure de cuivre approuvés pour gaz LP de diamètre 3/8" ou 1/2".

Model 1800B: c'est unité fonctionnant à la vapeur de propane ou au gaz naturel. Quand vous utilisez du propane, tournez la vanne de sélection de carburant (située sur le distributeur inférieur) sur la position Propane. Quand vous utilisez du gaz naturel, la vanne doit être mise en position Natural Gas. Cette unité peut s'installer à l'intérieur ou à l'extérieur du bâtiment.

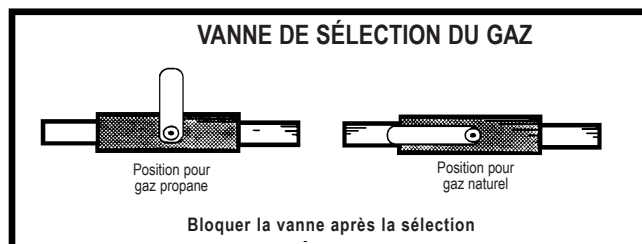
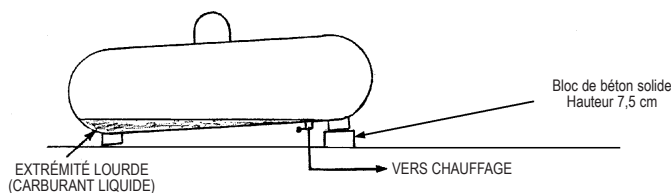


TABLEAU DE RÉFÉRENCE RAPIDE DE TUYAUTERIE POUR VAPEUR DE PROPANE

| Longueur de tuyau en pieds | BTU 750,000 | |
|----------------------------|-------------|-------|
| | 1/2PSI | 10PSI |
| 10 | 1 | 3/4 |
| 25 | 1-1/4 | 3/4 |
| 35 | 1-1/4 | 3/4 |
| 50 | 1-1/2 | 3/4 |
| 75 | 1-1/2 | 3/4 |
| 100 | 1-1/2 | 3/4 |
| 125 | 2 | 3/4 |
| 150 | 2 | 3/4 |
| 175 | 2 | 3/4 |
| 200 | 2 | 3/4 |
| 225 | 2 | 3/4 |

TABLEAU DE RÉFÉRENCE RAPIDE DE TUYAUTERIE POUR GAZ NATUREL

| Longueur de tuyau en pieds | BTU , 750,000 | | | |
|----------------------------|---------------|-------|-------|------|
| | <1PSI | 1PSI | 2PSI | 5PSI |
| 10 | 1-1/2 | 1 | 3/4 | 3/4 |
| 25 | 1-1/2 | 1 | 3/4 | 3/4 |
| 35 | 1-1/2 | 1 | 3/4 | 3/4 |
| 50 | 2 | 1 | 1 | 3/4 |
| 75 | 2 | 1-1/4 | 1 | 3/4 |
| 100 | 2 | 1-1/4 | 1 | 3/4 |
| 125 | 2 | 1-1/4 | 1-1/4 | 3/4 |
| 150 | 2 | 1-1/4 | 1-1/4 | 3/4 |
| 175 | 2 | 1-1/4 | 1-1/4 | 3/4 |
| 200 | 2-1/2 | 1-1/4 | 1-1/4 | 3/4 |
| 225 | 2-1/2 | 1-1/4 | 1-1/4 | 3/4 |

| TAUX DE VAPORISATION EN BTU/H À 0°F | | | | | | | |
|-------------------------------------|---|---|-----------|-----------|-----------|-----------|-----------|
| TAILLE DE RÉSERVOIR | NOMBRE DE RÉSERVOIRS EN DISTRIBUTION JOINTE | POURCENTAGE DE REMPLISSAGE DES RÉSERVOIRS | | | | | |
| | | 10% | 20% | 30% | 40% | 50% | 60% |
| 250 | 1 | 126,900 | 169,200 | 197,400 | 225,600 | 253,800 | 282,000 |
| | 2 | 279,180 | 372,240 | 434,280 | 496,320 | 558,360 | 620,400 |
| | 3 | 486,027 | 648,036 | 756,042 | 864,048 | 972,054 | 1,080,060 |
| 500 | 1 | 198,135 | 264,180 | 308,212 | 352,240 | 396,270 | 440,300 |
| | 2 | 435,897 | 581,196 | 687,066 | 774,928 | 871,794 | 968,660 |
| | 3 | 758,857 | 1,011,809 | 1,180,451 | 1,349,079 | 1,517,714 | 1,686,349 |
| 1000 | 1 | 354,240 | 472,320 | 551,040 | 629,760 | 708,480 | 787,200 |
| | 2 | 779,328 | 1,039,104 | 1,212,288 | 1,385,472 | 1,558,656 | 1,731,840 |
| | 3 | 1,356,739 | 1,808,985 | 2,110,483 | 2,411,980 | 2,713,478 | 3,014,976 |

REMARQUE: UTILISEZ CES MULTIPLICATEURS POUR D'AUTRES TEMPÉRATURES D'AIR

- Pour -10 °F multipliez par 0,5
- Pour +10 °F multipliez par 1,5
- Pour +20 °F multipliez par 2
- Pour +40 °F multipliez par 3
- Pour +50 °F multipliez par 3,5
- Pour +60 °F multipliez par 4

INSTALLATION AVEC RÉSERVOIR(S) D'ALIMENTATION EN PROPANE

- 1) Pour l'installation du chauffage devant utiliser du gaz propane, passez le sélecteur de gaz sur "Propane" et verrouillez-le en position.
- 2) Le système d'alimentation en propane doit être prévu pour un soutirage de vapeur depuis le(s) réservoir(s) actifs. L'arrivée de propane liquide peut provoquer une surcombustion qui endommagerait les composants du train de vanne.
- 3) Le chauffage doit être placé à au moins 1,8 m de tout conteneur de gaz LP, et ne pas être dirigé vers tout conteneur de gaz LP situé à moins de 6 m.
- 4)

| | |
|---|-------------------------------|
| <u>Capacité min. de réservoir (vapeur de propane)</u> | <u>Température extérieure</u> |
| 500 gallons | Plus de +25°F |
| 1 000 gallons. | De +25°F à + 10° F |
| 2 x 1 000 gallons | Moins de +10°F |
- 5) L'installation doit respecter les normes locales, ou à défaut la norme ANSI/NFPA 58 concernant stockage et manutention de gaz de pétrole liquéfié.
- 6) Fermez la vanne d'alimentation en propane au niveau du/des réservoir(s) quand le chauffage n'est pas en fonctionnement.
- 7) Quand le chauffage doit être entreposé à l'intérieur, le(s) réservoir(s) de propane doivent être débranchés du chauffage et eux-mêmes entreposés en conformité avec le chapitre 5 de la norme américaine citée plus haut.

PROBLÈMES COURANTS D'INSTALLATION ET DE FONCTIONNEMENT

- 1) **TENSION SECTEUR TROP BASSE AU CHAUFFAGE**
C'est l'un des problèmes les plus courants, résultant en général d'un cordon d'alimentation électrique de calibre de fils trop faible, ou d'une tension de secteur trop basse à la source. Une tension faible entraîne une surchauffe d moteur, peut griller les contacts de relais ou empêcher l'établissement de contact. Vérifiez la tension d'alimentation au chauffage avant son démarrage.
- 2) **CONDUITE D'ALIMENTATION SOUS DIMENSIONNÉE**
Reportez-vous au tableau de référence de la page 6 sur la tuyauterie.
- 3) **VAPORISATION INSUFFISANTE À LA SOURCE D'ALIMENTATION**
Causée normalement par un réservoir d'alimentation sous dimensionné.
- 4) **PRESSION DE GAZ D'ARRIVÉE INCORRECTE**
Résulte généralement d'une pression d'alimentation en propane trop élevée, du fait d'une régulation incorrecte ou absente, ou d'une pression de gaz naturel trop faible en sortie de compteur.
- 5) **ENCRASSEMENT DE L'ALIMENTATION EN GAZ**
Un gaz sale peut causer des bouchages de crépines ou former une accumulation dans l'orifice de brûleur.
- 6) **MANQUE DE MAINTENANCE PRÉVENTIVE**
Les chauffages doivent être nettoyé suivant le besoin, en particulier quand ils sont utilisés en environnement sale.
- 7) **FOURNITURE INSUFFISANTE D'AIR FRAIS**
Il est fortement recommandé que l'air d'admission du chauffage soit pris à l'extérieur d'une zone fermée. Cela fournit une légère pressurisation et évite tous les problèmes associés avec la recirculation des sous produits de combustion.

PROBLÈMES DE SÉCURITÉ SUR SITE

1) COURT-CIRCUITAGE DE COMPOSANTS DÉFECTUEUX

C'est un problème très courant qui économise une dépense à court terme avec le risque d'un coût ultérieur élevé. Tous chauffages trouvés dans ces conditions doivent être immédiatement retirés.

2) ENCEINTES INCORRECTES

Quand les chauffages sont installés partiellement à l'extérieur pour l'air frais d'arrivée, il faut strictement respecter l'espacement minimum par rapport aux combustibles indiqué sur la plaque d'instructions. Une structure en bois autour d'un chauffage peut créer un risque du point de vue de la sécurité.

3) ENVOI DE PROPANE LIQUIDE À UN CHAUFFAGE NON ÉQUIPÉ D'UN VAPORISATEUR INTÉGRÉ

Ce problème peut arriver à la mise en œuvre initiale. Pour minimiser les dommages, coupez l'alimentation en gaz et laissez le chauffage fonctionner jusqu'à ce que tout le combustible liquide des conduites ait été consommé.

INSTRUCTIONS D'UTILISATION

- 1) Positionnez la vanne de sélection du gaz selon le carburant utilisé. Vérifiez que la pression du gaz est bonne.
- 2) Ouvrez la vanne manuelle de coupure sur le chauffage.
- 3) Branchez le chauffage sur le secteur (120 V). Vérifiez au voltmètre que la tension est correcte.
- 4) Ouvrez lentement la vanne d'envoi au compteur ou au réservoir de propane. Vérifiez l'absence de fuites.
- 5) Actionnez l'interrupteur de marche ("ON").
- 6) Réglez le thermostat sur la température voulue pour la pièce.
- 7) Pour arrêter, ramenez le thermostat à une consigne plus basse que la température ambiante, ou activez l'interrupteur d'arrêt ("OFF"). Le brûleur va se désactiver, et la ventilation va stopper après 10 secondes.
- 8) Fermez ensuite la vanne manuelle de coupure sur le chauffage.

REMARQUE: Si le chauffage doit être coupé durant la nuit, fermez d'abord l'envoi du gaz au niveau de sa source, et brûlez tout le gaz résiduel de la conduite.

La zone de l'appareil doit être maintenue libre et exempte de tous matériaux combustibles, d'essence et autres liquides aux vapeurs inflammables.

Assurez-vous que les écoulements d'air d'admission et de gaz de combustion ne sont pas obstrués.

L'installation et l'utilisation du chauffage doivent être en conformité avec les exigences des normes spécifiées par les autorités ayant juridiction en la matière.

Les critères généraux d'utilisation de chauffages pour construction peuvent se trouver dans les sections applicables de la norme américaine A-10.10-1987, exigences de sécurité pour appareil et équipements de chauffage temporaire et portable d'espaces utilisés dans l'industrie du bâtiment.

INSTALLATION ET MAINTENANCE DU CHAUFFAGE DOIVENT ÊTRE EFFECTUÉS PAR UN AGENT DE SERVICE QUALIFIÉ.

MODÈLES 1800B ET 1800BL

SEQUENCE DU FONCTIONNEMENT DES COMPOSANTS

1) ALIMENTATION SECTEUR

Branchez le chauffage sur une prise secteur 120 V reliée à la terre. L'alimentation électrique arrive maintenant au fusible 20 A et au coupe-circuit 3 A. Le voyant d'alimentation électrique est allumé.

2) FUSIBLE 20 A ET COUPE-CIRCUIT 3 A

Si le disjoncteur et le fusible sont en bon état, l'alimentation secteur arrivera au thermostat et au relais de moteur (normalement ouvert). Le voyant du fusible est éclairé.

3) INTERRUPTEUR DE MISE EN MARCHÉ

Avec le commutateur de ventilation sur marche (ON) l'alimentation électrique est envoyée à l'interrupteur d'arrêt (OFF) et au relais de commande (contact normalement ouvert et bobine).

4) RELAIS DE COMMANDE

Après réception d'une alimentation venant de l'interrupteur d'arrêt, le relais referme une boucle entre le coupe-circuit 3 A et l'interrupteur d'arrêt (contact normalement fermé).

5) INTERRUPTEUR DE MISE À L'ARRÊT

L'alimentation électrique est fournie depuis l'interrupteur d'arrêt (OFF) aux bornes (L1) de la commande DSI et (COM) du thermostat.

6) THERMOSTAT

Quand le thermostat demande de la chaleur, il y a alimentation électrique aux bornes de la commande DSI (TH) et du commutateur d'écoulement d'air (COM).

7) COMMANDE DSI (ALLUMAGE DIRECT PAR ÉTINCELLES)

Elle envoie l'alimentation électrique depuis la borne (IND) vers le bobinage du relais de moteur.

8) RELAIS DE MOTEUR

Quand sa bobine est alimentée, il ferme ses contacts, ce qui envoie l'alimentation électrique au moteur de ventilateur.

9) RELAIS DE VENTILATEUR

Le moteur active la rotation des pales du ventilateur, ce qui fait fermer le commutateur d'écoulement d'air.

10) COMMUTATEUR D'ÉCOULEMENT D'AIR

Il reçoit son alimentation du thermostat, et il alimente le voyant indicateur et la borne (PSW) de la commande DSI.

11) COMMANDE DSI (ALLUMAGE DIRECT PAR ÉTINCELLES)

Elle envoie l'alimentation électrique depuis la borne (IND) vers le bobinage du relais de moteur.

12) CONTACTEUR DE LIMITE HAUTE DE TEMPÉRATURE

Ce contacteur a des contacts normalement fermés, il envoie l'alimentation électrique aux électrovannes de gaz. Les voyants de vannes "Lo" et "Hi" s'allument.

13) ÉLECTROVANNES DE GAZ

Leurs bobinages étant alimentés, les électrovannes s'ouvrent, le gaz passe jusqu'au brûleur et s'enflamme.

14) CONTRÔLE DE SÉCURITÉ DE LA FLAMME

Il y a maintenant détection de présence de flamme par l'électrode et la génération d'étincelles cesse. Le chauffage est opérationnel.

15) THERMOSTAT

Quand le besoin de chauffe est satisfait, ses contacts s'ouvrent en retirant l'alimentation électrique de la borne (TH) de la commande DSI, les électrovannes de gaz se ferment et la temporisation intégrée de ventilateur est activée.

16) TEMPORISATEUR INTÉGRÉ DE VENTILATEUR SUR COMMANDE DSI

Il continue d'actionner le moteur du ventilateur pendant environ 10 secondes, puis coupe la ventilation.

DÉPANNAGE

MÉTHODE: Déterminez le symptôme spécifique, en vous référant à la séquence du fonctionnement des composants. Vérifiez au niveau des composants listés avec un voltmètre si le fonctionnement se déroule comme décrit. Remplacez tous composants qui ne fonctionnent pas correctement.

Le ventilateur ne démarre pas avec l'interrupteur de marche et le thermostat activés.

- Vérifiez les séquences de 1 à 8 (Page 9).

Le ventilateur tourne mais il n'y a pas d'étincelles pour l'allumage.

- Vérifiez les séquences 10 et 11 (Page 9).
- Vérifiez la continuité des fils d'allumeur. Remplacez-le en cas de court-circuit ou de coupure.
- Contrôlez s'il n'y a pas d'accumulation de carbone à l'allumeur, que l'écartement fait bien 1/8", que le montage est bien serré.
- Remplacez l'allumeur si sa porcelaine est craquelée ou si ses électrodes sont enrobées.

Il y a des étincelles mais pas de flamme.

- Vérifiez les séquences 11, 12 et 13 (Page 9).
- Contrôlez la pression de gaz sur le manomètre de distribution, si le gaz est présent nettoyez les trous du brûleur.

Il y a apparition de flamme mais le brûleur s'éteint après quelques secondes.

- Vérifiez l'électrode de flamme, si la porcelaine est craquelée ou si l'électrode est enrobée, changez-la.
- Si après cela le problème persiste, changez la commande DSI.

Il y a une flamme mais elle est faible.

- Contrôlez la pression de gaz sur le manomètre de distribution. Si elle est correcte :
 - A) Nettoyez les trous du brûleur.
 - B) Vérifiez que la vanne de sélection de gaz est sur la bonne position (pour du gaz naturel).
- Si la pression de gaz était insuffisante :
 - A) Vérifiez l'alimentation en carburant.
 - B) Cherchez une obstruction éventuelle au tamis filtrant le liquide (950HL).
 - C) Cherchez une obstruction éventuelle au régulateur de pression.
 - D) Cherchez une obstruction éventuelle aux électrovannes.

Le ventilateur ne s'arrête pas quand le thermostat désactive le brûleur.

- Le ventilateur devrait tourner de 10 à 15 secondes après l'extinction du brûleur. Remplacez la commande DSI si le ventilateur continue de tourner plus de 30 secondes.

Le ventilateur tourne, il n'y a ni carburant ni étincelles.

- Contrôlez que le voyant d'écoulement d'air est bien allumé, sinon nettoyez ou ajustez le commutateur d'écoulement d'air.

MAINTENANCE PRÉVENTIVE

Les chauffages Heat Wagon pour construction sont réalisés pour les contraintes d'un fonctionnement sur des sites de chantiers, des applications minières et une multitude d'autres environnements possibles. Pour garder la performance fiable nécessaire, il faut réaliser une certaine quantité de maintenance préventive.

1) VÉRIFICATION DU CORDON SECTEUR

- A. Partie isolante sans effilochages ou fissures.
- B. Présence de la terminaison de terre sur la fiche terminale.
- C. Polarité correcte (fil noir de phase allant au fusible, fil blanc allant à la borne de neutre).

2) VÉRIFICATION DES BONNES CONNEXIONS DU CÂBLAGE

3) VÉRIFICATION DU RELAIS DE MOTEUR

- A. S'il y a un son de vibration, nettoyez les contacts et changez le relais si nécessaire.
- B. Contrôlez la chute de tension dans les contacts, si elle fait plus de 2 V remplacez le relais.

4) VÉRIFICATION DU COMMUTATEUR D'ÉCOULEMENT D'AIR

- A. Purgez à l'air comprimé le tube d'admission et le raccord de pression négative.
- B. Réglez le commutateur, le voyant au panneau de commandes doit rester allumé si le chauffage est frappé, et s'éteindre si l'admission au ventilateur est obstruée.

5) NETTOYAGE DU BRÛLEUR

- A. Nettoyez tous ses trous (sortie du gaz).
- B. Nettoyez les ouvertures du mélange d'air.

6) VÉRIFICATION D'ALLUMEUR/DÉTECTEUR DE FLAMME

- A. Déplacez l'électrode de détection de flamme, remplacez-la si elle est enrobée.
- B. Si l'allumeur est encrassé, nettoyez-le et réglez son écartement à 1/8".

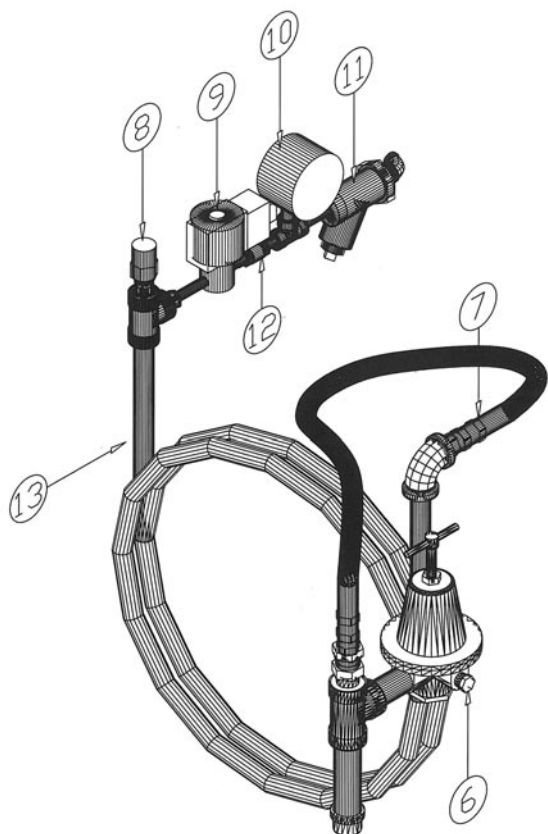
7) RECHERCHE DE FUITES DE GAZ

Démarrez le chauffage, vérifiez l'absence de fuites à toutes les connexions (avec détecteur de fuites ou eau savonneuse).

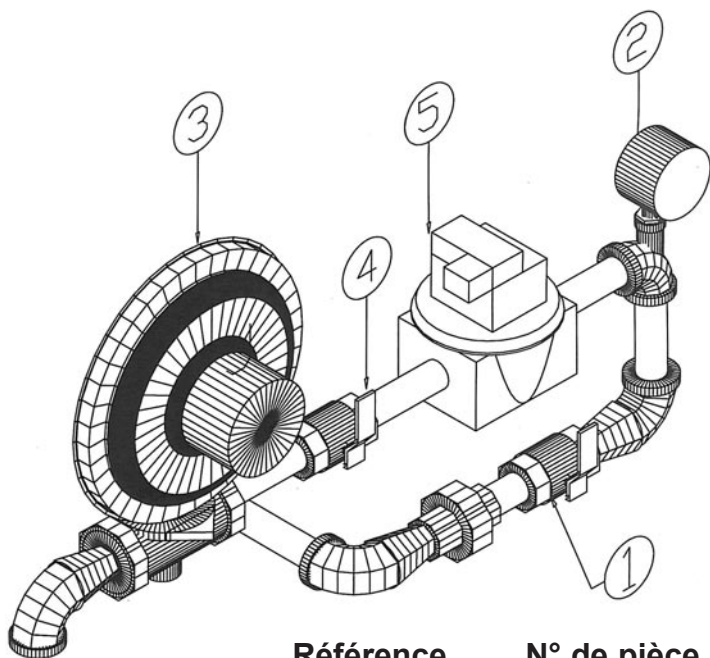
8) RESSERRAGE DE TOUS LES BOULONS

- A. Fixations du moteur
- B. Pales de ventilateur
- C. Fixations du brûleur
- D. Montages de la tuyauterie

MODÈLE 1800BL À TRAIN DE TUYAUTERIE POUR LIQUIDE



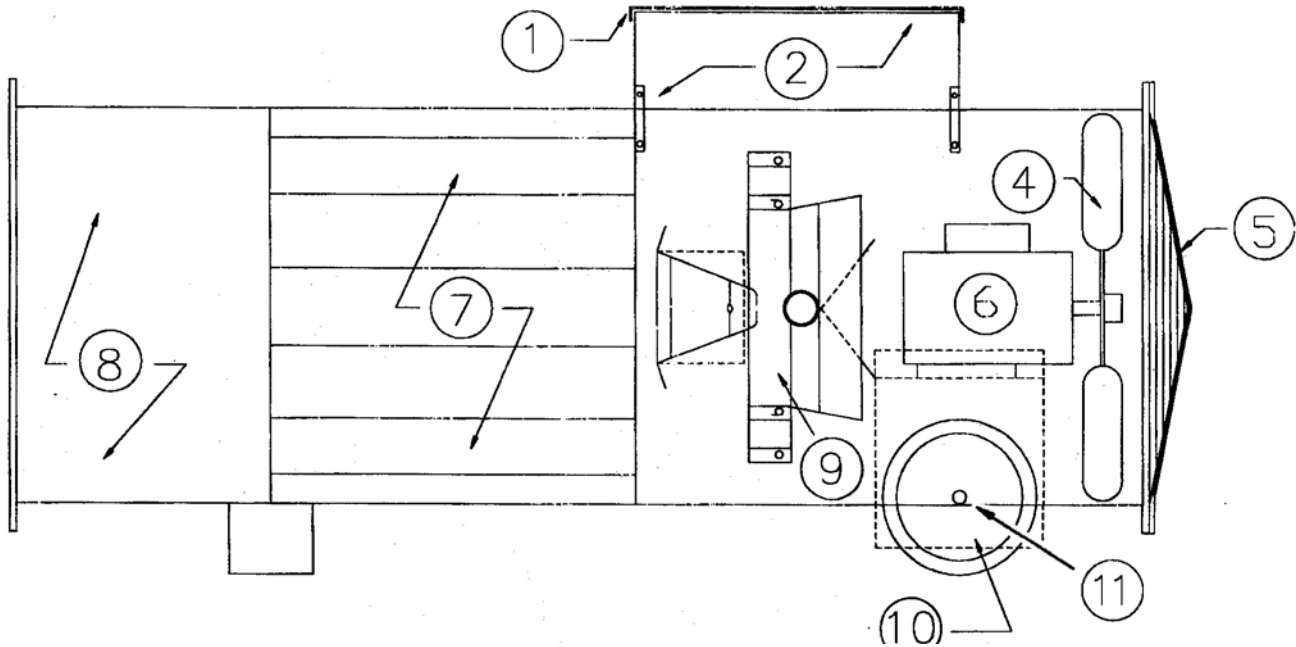
| <u>Référence</u> | <u>N° de pièce</u> | <u>Description</u> |
|------------------|--------------------|---------------------------------|
| 6 | HWP HR1053 | RÉGULATEUR HAUTE PRESSION |
| 7 | HWP HV1042B | TUYAU |
| 8 | HWP HV1039 | CLAPET DE DÉCHARGE DE SÉCURITÉ |
| 9 | HWP HV1137 | ÉLECTROVANNE DE PROPANE LIQUIDE |
| 10 | HWP HV1054 | MANOMÈTRE À LIQUIDE |
| 11 | HWP HV1129 | TAMIS POUR LIQUIDE |
| 12 | HWP HV1123 | VANNE DE COUPE MANUELLE |
| 13 | HWP HV1140 | BOBINE |



MODÈLE 1800B À TRAIN DE TUYAUTERIE POUR VAPEUR

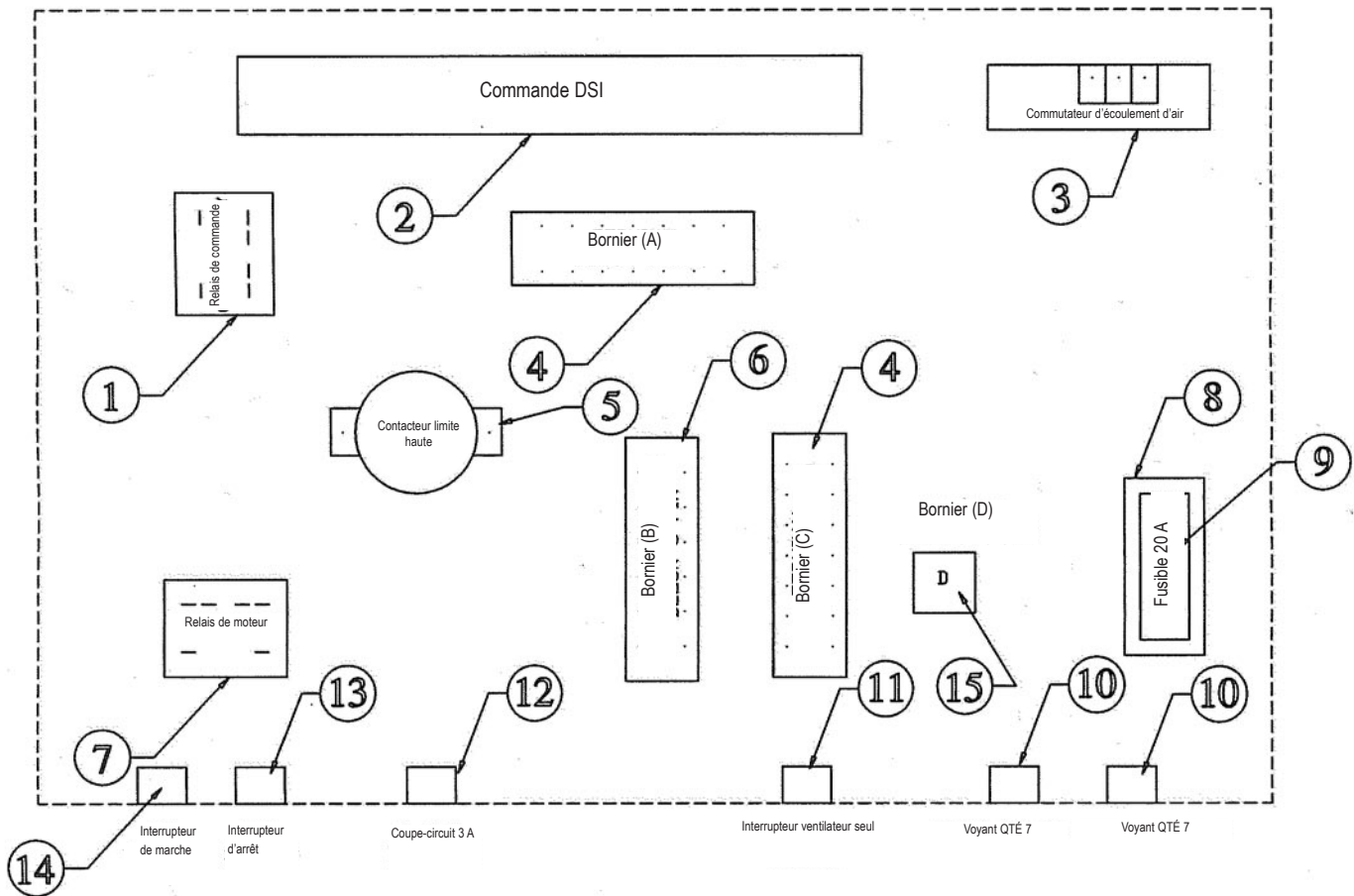
| <u>Référence</u> | <u>N° de pièce</u> | <u>Description</u> |
|------------------|--------------------|--|
| 1 | HWP HV1160 | Vanne de sélection 1" à verrouillage |
| 2 | HWP HV1169 | Manomètre basse pression 15" de hauteur de colonne d'eau |
| 3 | HWP 40SV06 | Régulateur de 2 ^{ème} étage 3/4" x 1" |
| 4 | HWP HV1035 | Vanne à boisseau sphérique 1" |
| 5 | HWP 4490 | Vanne de régulateur de 2 ^{ème} étage |

PIÈCES CONSTITUANTES DE MODÈLE 1800B(L)



| <u>Référence</u> | <u>N° de pièce</u> | <u>Description</u> |
|------------------|--------------------|------------------------------------|
| 1 | HWP HC1082 | COUVERCLE DE BOÎTIER DE COMMAND |
| 2 | HWP HC1083 | BOÎTIER DE COMMANDE SANS COUVERCLE |
| 4 | HWP HP1161 | PALES DE VENTILATEUR |
| 5 | HWP HG1167 | PROTECTION DE VENTILATEUR |
| 6 | SFP 9262 | MOTEUR 1 CV |
| 7 | HWP HB1177 | ÉCRAN THERMIQUE |
| 8 | HWP HB1800B | CORPS |
| 9 | HWP HB1171 | BRÛLEUR |
| 10 | HWP HW1164 | ROUE 8" X 1,75" AVEC MOYEU 1/2" |
| 11 | HWP HW1164B | ARBRE POUR 1800 |

PIÈCES DU BOÎTIER DE COMMANDE



| Référence | N° de pièce | Description |
|-----------|-------------|---------------------------------------|
| 1 | HWP 9264 | Relais de commande |
| 2 | HWP HC1001D | Commande DSI |
| 3 | S1500-710 | Commutateur d'écoulement d'air |
| 4 | HWP HC1123 | Bornier (A, C) |
| 5 | HWP 2446 | Contacteur limite haute |
| 6 | HWP HC1123 | Bornier (B) |
| 7 | HWP 9264 | Relais de moteur |
| 8 | HWP HC1122 | Bloc de fusible |
| 9 | HWP HC1115 | Fusible 20 A |
| 10 | HWP 44130 | Voyant QTÉ 7 |
| 11 | HWP HC1011 | Interrupteur ventilateur seul |
| 12 | HWP HC1019B | Coupe-circuit 3 A |
| 13 | HWP HC1150 | Interrupteur d'arrêt (OFF) |
| 14 | HWP HC1149 | Interrupteur de marche (ON) |
| 15 | HWP HC1123 | Bornier (D) |
| 16 | HWP HC1120 | Thermostat (sans cordon) (non montré) |
| 17 | HWP HC1020 | Cordon secteur (non montré) |

CÂBLAGE DU BOÎTIER DE COMMANDE DE 950H

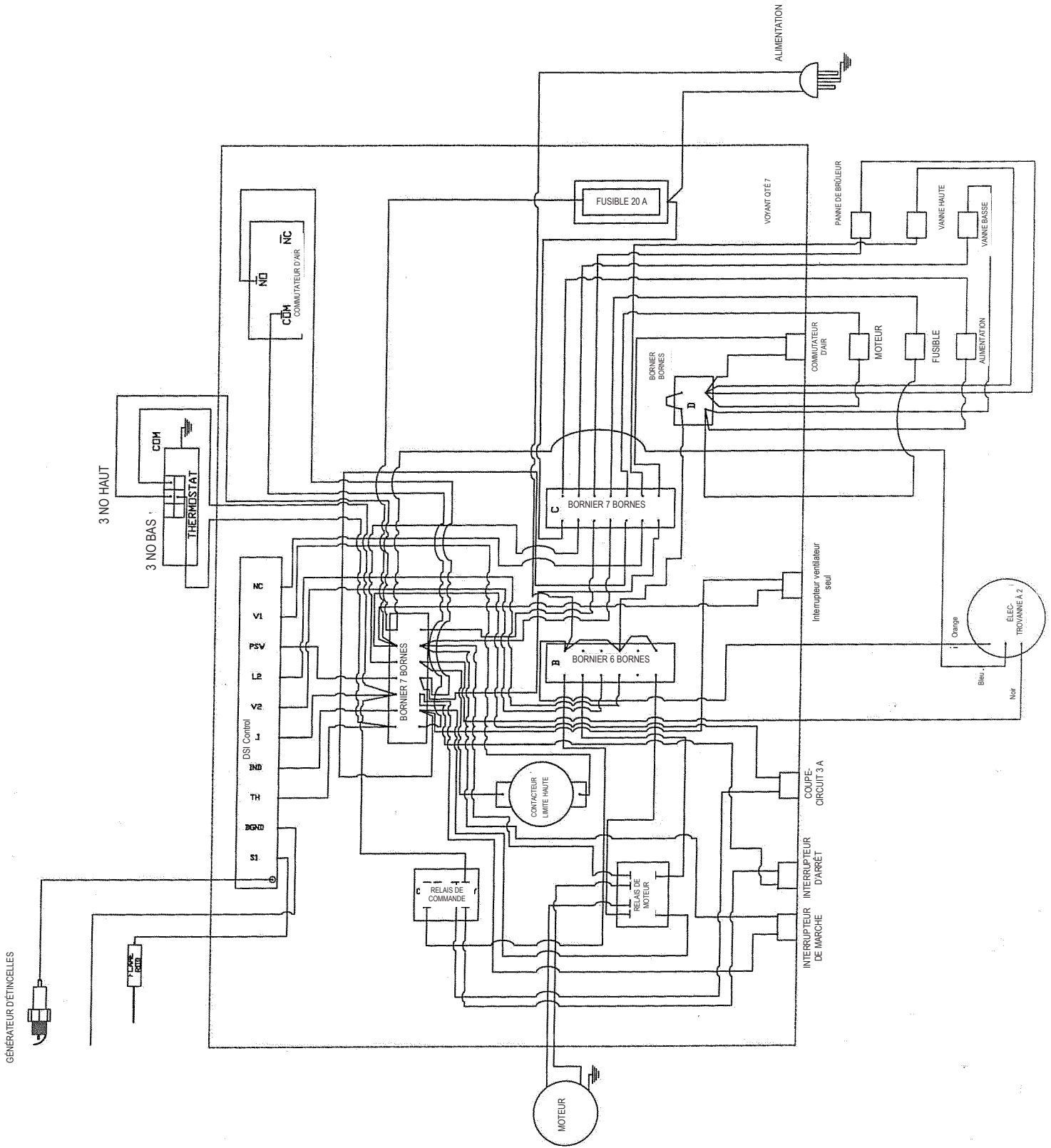


DIAGRAMME DU CIRCUIT D'ALIMENTATION

